

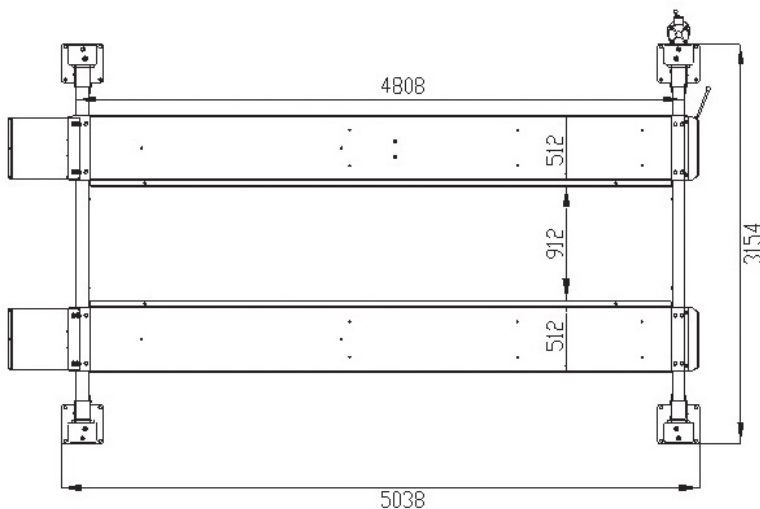
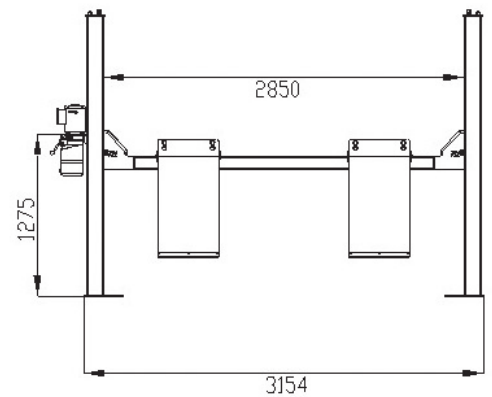
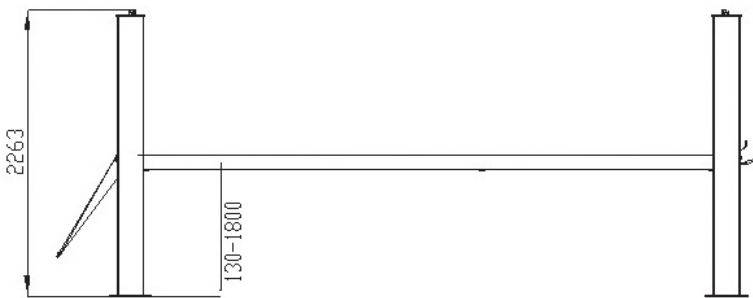
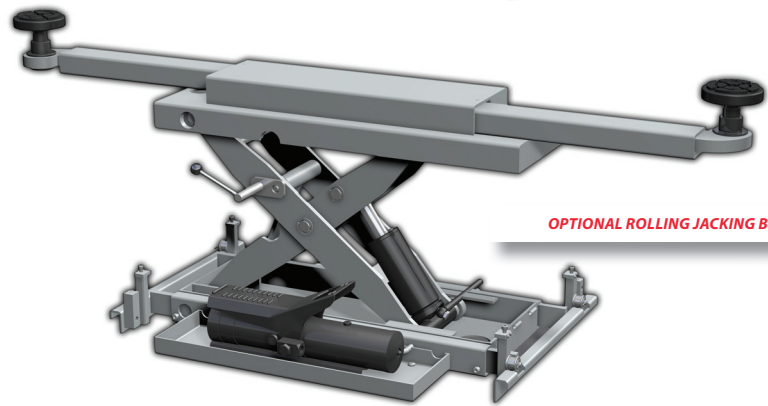
AUTOMASTER AM-6745L

Four Post Hoist

- Developed by an Italian/Chinese joint venture manufacturer
- Mechanical locking system
- Cable breakage emergency locking system
- Wide and long to accommodate large vehicles
- Total length 5920mm
- Runway width 524
- Optional jacking beams
- European CE Safety Certified

SPECIFICATIONS

Capacity	4200kg
Lift height	1800mm
Min height	130mm
Lifting time (approx)	50sec
Weight	1500
Power supply	220V or 380v/3ph
Warranty	2 Year



THE CONCRETE MUST:

- Have a minimum thickness of 150mm
- Be reinforced
- Be a grade of no less than 25MPA