



AUTOMASTER

THE AUTO EQUIPMENT SPECIALISTS

Automaster AM-9650YW & AM-9685YW

5500kg & 8500kg Wireless Mobile Column Lift



Automaster AM-9685YW

8500kg Wireless Mobile Column Lift



OUR VICE-GRIP GUARANTEE

If you're not happy, we replace or refund in full.



FEATURES

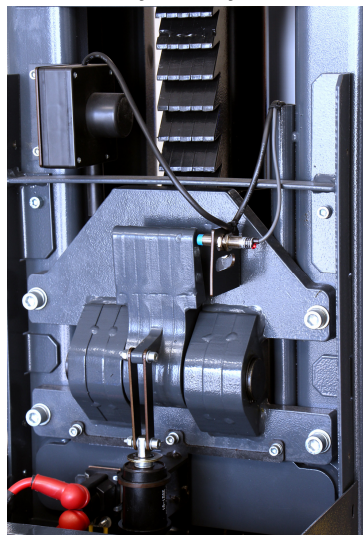
- 5.5 or 8.5-tonne capacity per column
- Operation can be controlled from any columns touch screen control panel.
- 2 to 12 columns can be linked together with wireless communication
- Suitable for lifting trucks, van, buses, forklifts , utes , fork end loaders & 4x4's etc..
- Each heavy duty mobile column is DC motor powered, equipped with a set of rechargeable batteries & wireless communication.
- Columns can also be connected with cables for wired communication.
- The hydraulic pallet jack system on each column, allows for unparalleled freedom of movement.
- Advanced system with automatic lifting/lowering speed variety ensures synchronization of all columns during lifting/lowering phase.
- Adjustable forks to accommodate different tyre diameters
- Double-safety guaranteed by both hydraulic flow control and mechanical locking system
- Automatic stop if any column has >50mm height difference
- European CE Safety Certified
- Full 2 year warranty

SPECIFICATIONS	AM-9650	AM-9685
Capacity per column	5500KG	8500KG
Lifting stroke	1750mm	1700mm
Max Height	3770mm	3730mm
Lifting Time (approx)	80sec	120sec
Weight	510kg	810kg
Power supply	230V 1PH (battery charger)	
Motor power	24V DC	
Batteries	DC12V - 280AH - CCA 650A	
Width between forks	166-550mm	240-624mm
Warranty	2 years	

Adjustable wheel tines for small to large diameter wheels



Mechanical auto activating safety lock system



230V Built in Battery Charger
2 x Batteries
12V DC - 280AH - 650CCA



Automaster AM-9685YW

8500kg Wireless Mobile Column Lift



OUR VICE-GRIP GUARANTEE

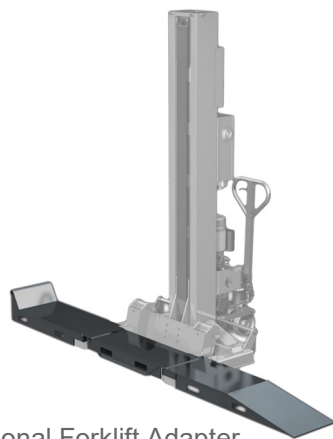
If you're not happy, we replace or refund in full.

Full control of all linked columns via control panel & LCD touch screen .
Columns can be controlled from any column.

AM-9650



AM-9685



Optional Forklift Adapter



Optional 8.5T Tripod Stand

Optional Crossbeam Axis Adapter

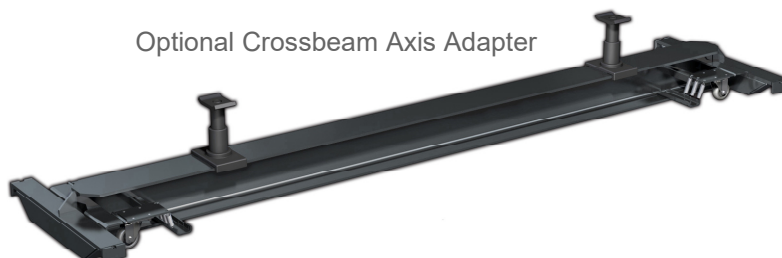




Figure 4a – 5.5T COLUMN LAYOUT

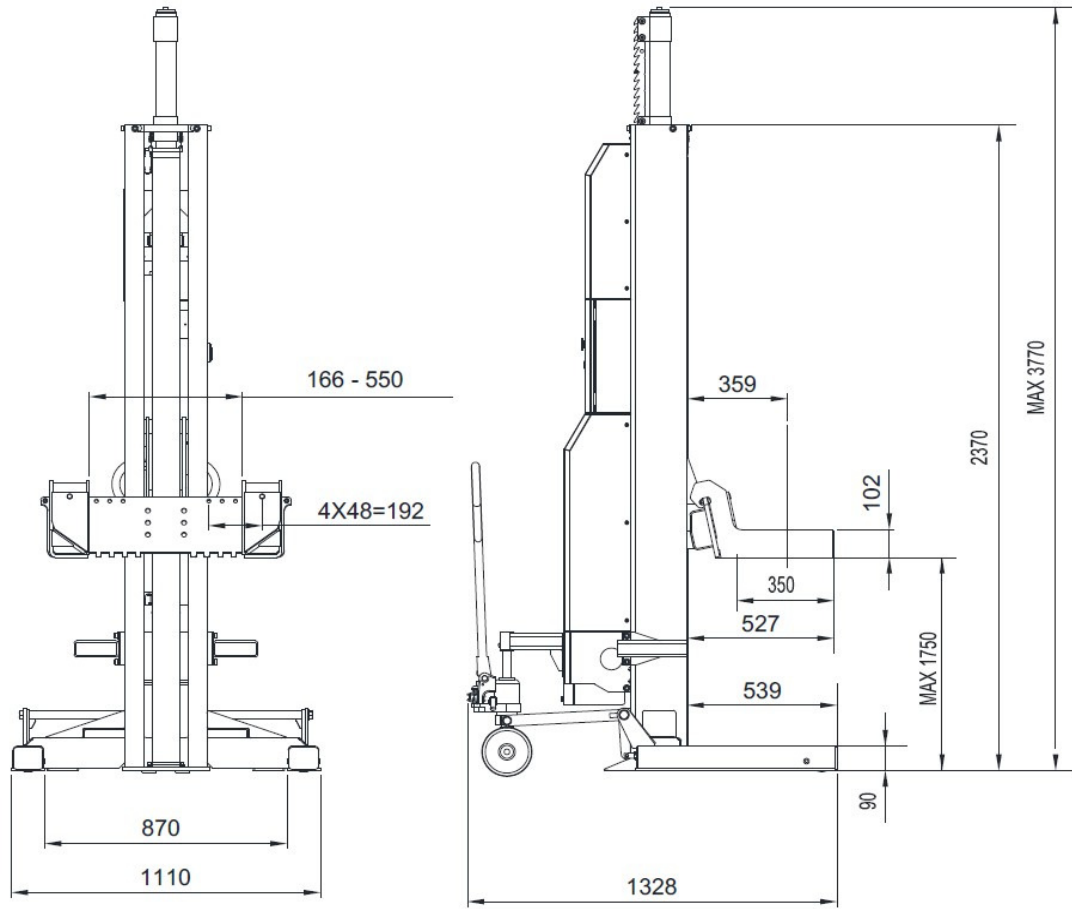


Figure 4b – 8.5T COLUMN LAYOUT

