



AUTOMASTER

THE AUTO EQUIPMENT SPECIALISTS

Automaster AM-228IT

Platinum Series Tyre Changer

PLATINUM



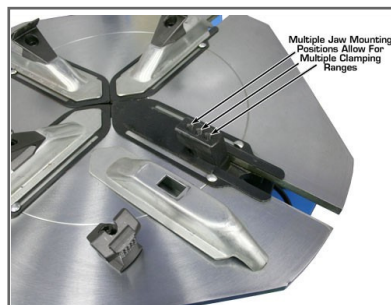
Automaster AM-228IT

Platinum Series Tyre Changer



OUR VICE-GRIP GUARANTEE

If you're not happy, we replace or refund in full.

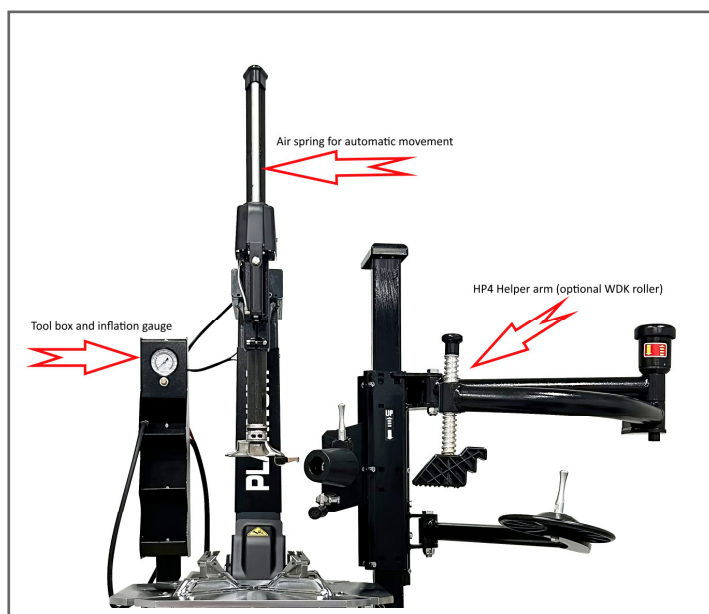


Multiple Jaw Mounting Positions Allow For Multiple Clamping Ranges

Rim clamping range from outside 10" - 24" & inside 12" - 26"

By adjustable jaws.

This provides a huge range without the need for an oversized turntable



Air spring for automatic movement

HP4 Helper arm (optional WDK roller)

Tool box and inflation gauge

FEATURES

- Automaster Platinum Extra heavy –duty tyre changer
- Suggested for mid-high volume tyre shops
- Product designed for high volume professionals, who need reliable, robust, high-performance product with great price.
- Made in China with key components from Italy
- HP3 helper arm included with optional WDK run flat roller kit
- Powerful bead breaker with 3180kg of breaking pressure
- Bead breaking becomes more ergonomic than ever before, with a extra control pedal conveniently located by the bead breaker, closer to the operator when doing wider tyres.
- Robust bead breaker arm, designed for tough jobs with adjustable bead breaker blade angle & power out system, a Giuliano patent, for no bead breaker blade getting stuck during bead breaking operations.
- Options of a 2 speed **mini inverter single phase motor** or in **3ph-2 speed motor**.
- Pedal controlled tyre inflation
- **Tubeless air blast** inflation system with air accumulation tank. Pedal controlled. Each jaw clamp has an angled jet outlet for the tubeless air blaster system.
- 5 years warranty on "Made by Giuliano" gearbox
- Heavy duty pneumatically controlled tilt-back column
- Reinforced Chassis and tower;
- Tabletop thickness 14 mm
- Bead breaker double effect Cylinder \varnothing 200 mm;
- **Components Made in Italy** , 230V Inverter motor, gearbox, air spring, alloy parts, pneumatic cylinder seals & pistons, pedal valves, air fittings & hose



2 Speed turn table switch (3ph Models)

Inflation pedal

Extra bead breaker pedal

"Easy Access" extractable pedal box for quick service

Supplied with jaw clamp covers, top & bottom head inserts, bead breaker blade cover & tyre lever , lube brush & and 1ltr White Panther Grease



Tubeless air blast inflation system with air accumulation tank. Pedal controlled. Each jaw clamp has an angled jet outlet for the tubeless air blaster system.

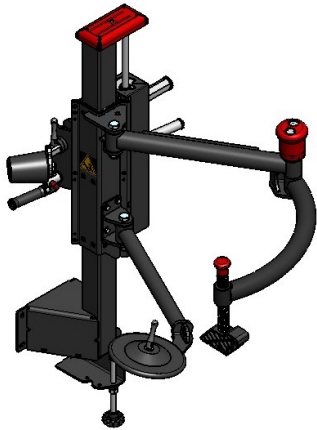
Automaster AM-228IT

Platinum Series Tyre Changer



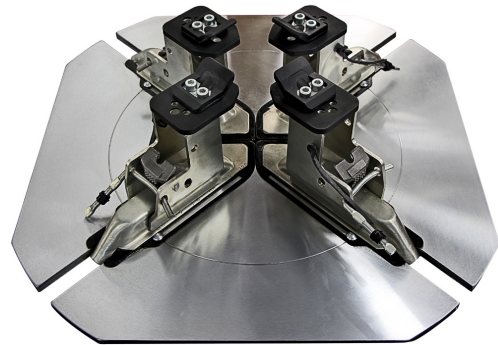
OUR VICE-GRIP GUARANTEE

If you're not happy, we replace or refund in full.



Powerful HP3 helper arm is a universal multi-functional device to easily and safely change low profile, run flat & UHP tyres.
Optional WDK roller for run flat tyres

Optional ATV or M/C adapters



SPECIFICATIONS

Inside wheel clamping	12" - 26" By adjustable jaws
Outside wheel clamping	10" - 24" By adjustable jaws
Maximum tyre diameter	1100mm/43"
Maximum tyre width	415mm/16"
Motor Power	0,8/1,1 kW (380V 3ph) Or 230V Mini inverter
Rotation speed	7 - 14rpm

SPECIFICATIONS

Bead breaker force	30800n /3180kg
Operating pressure	120-140psi
Locking mechanism	Pneumatic
Machine weight	350kg
Tilting column	Pneumatic

