

Corghi A2025TI DV

Tyre Changer - Mini Inverter Motor



14"



24"



SCAN ME

This product has been accredited by:



Corghi A2025TI DV

Tyre Changer with Mini Inverter Motor



OUR VICE-GRIP GUARANTEE

If you're not happy, we replace or refund in full.

Corghi patented system gives working range from 10" to 24" outside clamping with a simple cam adjustment.

This provides a huge range without the need for an oversized turntable



The adjustable length bead breaker arm ensures that the bead breaker blade is always in the correct position in relation to the wheel, ruling out the risk of damage to the tyre and/or rim.



Dual position telescopic bead breaker pad (CORGHI patent) allows for breaking the beads of all types of wheels up to a maximum width of 14".



Newly-designed mount/demount foot with a read tab offers significant support during mounting step, Plastic protection inserts are also present to avoid scratching the rims.

Very effective on RFT & UHP tyres

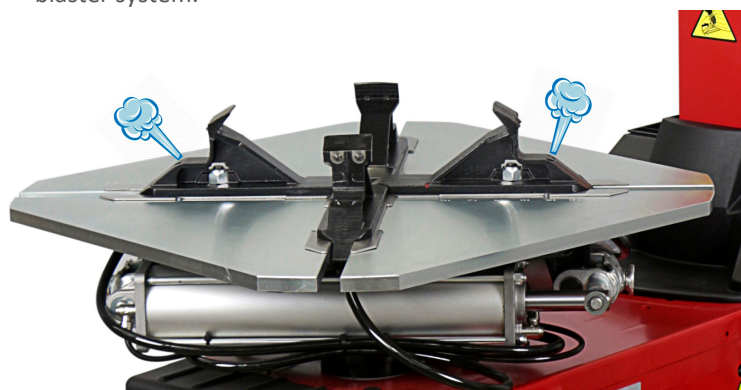


Supplied with inside & out side jaw clamp covers, top & bottom head inserts, bead breaker blade cover & tyre lever cover & and 1ltr White Panther Grease



FEATURES

- Corghi - The worlds most trusted and proven name in tyre changing equipment
- The A2025 is a fully automatic tyre changer with pneumatically operated tilting column, tubeless bead blaster and 24" turntable. Ideal for demounting car, SUV, van and motorcycle wheels.
- **Variable torque mini inverter** single phase motor give complete control with the most difficult tyres
- **Tubeless air blast** inflation system with air accumulation tank. Pedal controlled.
- **Adjustable bead breaking pad** unit features a dual-position telescopic support (CORGHI patent) for breaking the beads of all types of wheel up to a maximum width of 14"
- Automatic movement of vertical shaft by **air spring** & simultaneous pneumatic locking of horizontal and vertical shafts and automatic head positioning in the ideal working position
- The standard turntable on the machine features a **patented adjustable system** that allows all types of wheels from 10" to 24" by being able to move the working range from 10"- 20" to 14"- 24" by a simple action of the operator. Its shape has been designed to guarantee the user, who works on large wheels, an easier and quicker positioning of the wheel and above all, keeps the overall dimensions of the turntable plate on the machine to a minimum.
- The length of **bead breaker arm can be extended**. This is very useful and ideal when working with large wheels and all-terrain wheels. Additionally, the bead breaker blade is always well positioned in relation to the wheel, avoiding possible damage to the tyre and/or rim. This function is faster and safer.
- The **two-position telescopic bead breaker pad** (CORGHI patent) is extremely useful for beading all types of wheels up to a maximum width of 14".
- **Taller fully cast clamps** for better rim clamping from both Inside and outside, and included as standard are clamp covers for both the front and back of the clamps.
- Each jaw clamp has two angled jet outlets for the tubeless air blaster system.



Corghi A2025TI DV

Tyre Changer with Mini Inverter Motor



OUR VICE-GRIP GUARANTEE

If you're not happy, we replace or refund in full.



Optional SP2300 helper arms

The SP2300 is a practical and functional Helper device specifically designed to make mounting and demounting operations quicker, easier and safer.

Optional WDK roller for run flat tyres

Made in Italy



Optional SP300 helper arms

The SP300 is a Universal multifunctional device specifically designed to make mounting and demounting operations quicker, easier and safer.

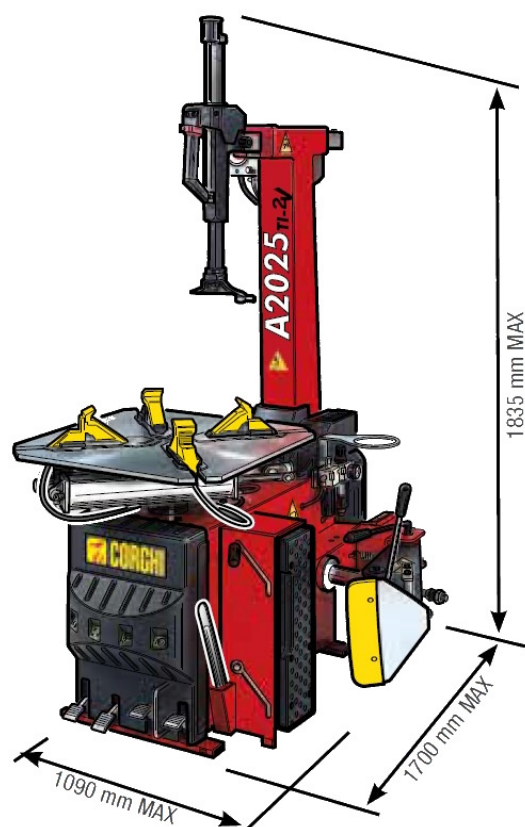
Made in China

SPECIFICATIONS

Inside clamping capacity	13"-26"
Outside clamping capacity	10"-24"
Maximum tyre diameter	1100mm/43"
Maximum tyre width	360mm/14"
DV version rotation torque	1300nm
DV version rotation speed	6-15rpm
Turn table height	675mm

SPECIFICATIONS

Power supply voltage	1ph DV- 230 V - 0,75 kW
Operating pressure	120-140psi
Bead breaker max opening	380mm
Bead breaker force	15500 n
Locking mechanism	Pneumatic
Machine weight	259kg
Tilting column	Pneumatic



Optional ATV or M/C adapters

