



AUTOMASTER

THE AUTO EQUIPMENT SPECIALISTS

Corghi Erco HC-4502

4500kg 2 Post Clear Floor Hoist



Corghi Erco HC-4502

4500kg 2 Post Clear Floor Hoist



OUR VICE-GRIP GUARANTEE

If you're not happy, we replace or refund in full.



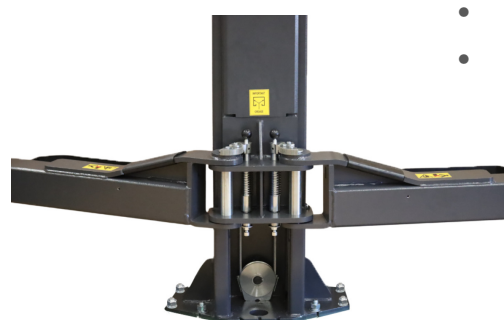
Four three stage arms are made from 8mm thick steel and fitted with long life durable rubber lifting pads.

SPECIFICATIONS

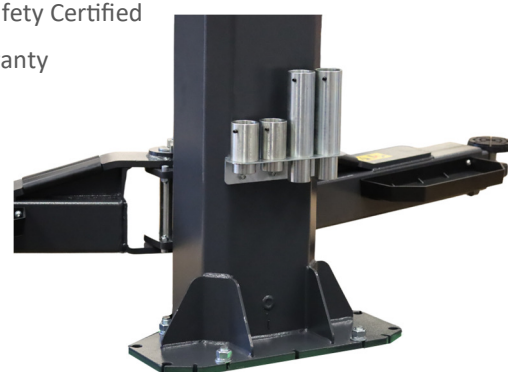
Capacity	4500KG
Max lift height (on locks)	1957-2037mm
Min Height	100mm
Lifting Time (approx)	3PH 45 Sec
Weight	1150kg
Power supply	380V 3Ph
Total height	Std 4050mm (Optional 5220mm)
Warranty	3 years

FEATURES

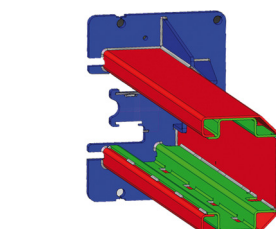
- Industry leading 1980mm lifting height
- 3000-3200mm clearance between the posts (Width is adjustable)
- Columns are made from one piece of full length steel, with an 8 fold bending structure & internally built in reinforcement to provide maximum rigidity and strength.
- The large base plate (650mmx350mm) is made from 20mm thick steel, has four supporting brackets welded to the base of the column & is secured to the floor by 8 true bolts.
- For added safety the lifts carriages are 1800mm long to provide extra stability and load distribution
- Nylon carriage slider blocks are made from wear resistant & maintenance free material
- At full extension the arms provide 1780mm of reach to allow safe lifting of small cars, American classic cars with narrow chassis, or extra-large commercial vehicles
- Tool Trays attached to each arm
- Roof protection safety shut down bar across top of hoist
- parachute valve is installed in each cylinder for added safety encase of hydraulic failure
- Two rubber door protection pads on each column
- The adjustable width cross beam allows for narrow or wide installation options
- Free 4 x 4 adapters included
- Optional 1200mm top bar height extensions
- European CE Safety Certified
- Full 3 year warranty



Automatic arm locks



The large base plate (650mmx350mm) is made from 20mm thick steel, has four supporting brackets welded to the base of the column & is secured to the floor by 8 true bolts.



8 fold bending structure & internally built in reinforcement

Corghi Erco HC-4502

4500kg 2 Post Clear Floor Hoist



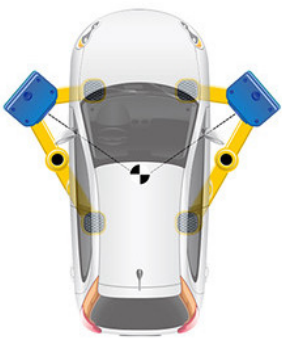
OUR VICE-GRIP GUARANTEE

If you're not happy, we replace or refund in full.

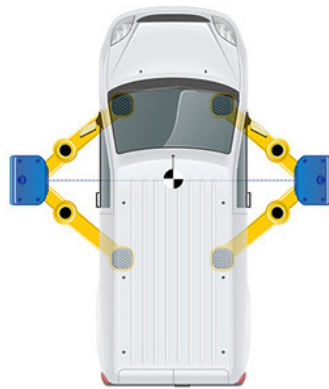


Top quality motor & pump unit

High out of the way motor position at the top of the column



ASYMMETRIC LIFT



SYMMETRIC LIFT

The Corghi ERCO HC-4502 can be installed in **asymmetrical** or **symmetrical** configuration.

Asymmetrical design where the columns are rotated 30° to place the approximate center of gravity of the vehicle in line with the optimum load capability of the column, reducing unnecessary wear and tear on the column, carriage, and bearings. The vehicle sits back further on the lift & since most vehicles are front heavy, only about a third of the vehicle sits to the front while two-thirds hang behind on an asymmetric lift. This makes it easy to open the doors and access the interior of a vehicle.

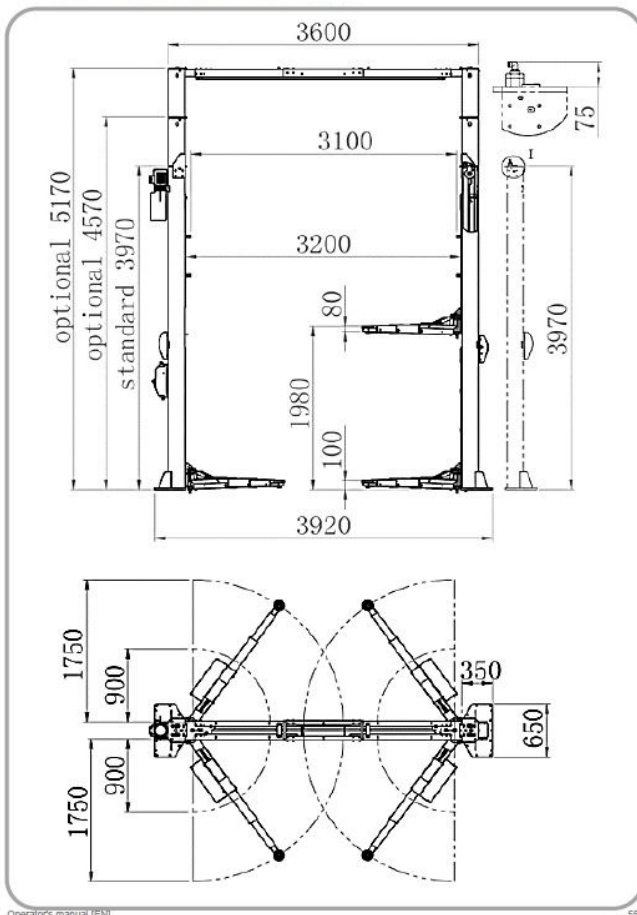
Symmetrical lifting centers the vehicle front to rear in the bay. Columns are positioned directly across from each other, facing – arms are of equal length – and the lift has more drive thru clearance. The center of gravity of the vehicle and the lift are aligned, equalizing the load on the columns, carriage, and bearings.

The more traditional option, and it's best for shops that work on a variety of vehicles. The most significant benefit of symmetric lifts is that they offer a much larger drive-through area.

SYMMETRICAL

ASYMMETRICAL

1.2 LAYOUT SYMMETRIC WAY TO INSTALLATION



1.21 LAYOUT ASYMMETRIC WAY TO INSTALLATION

